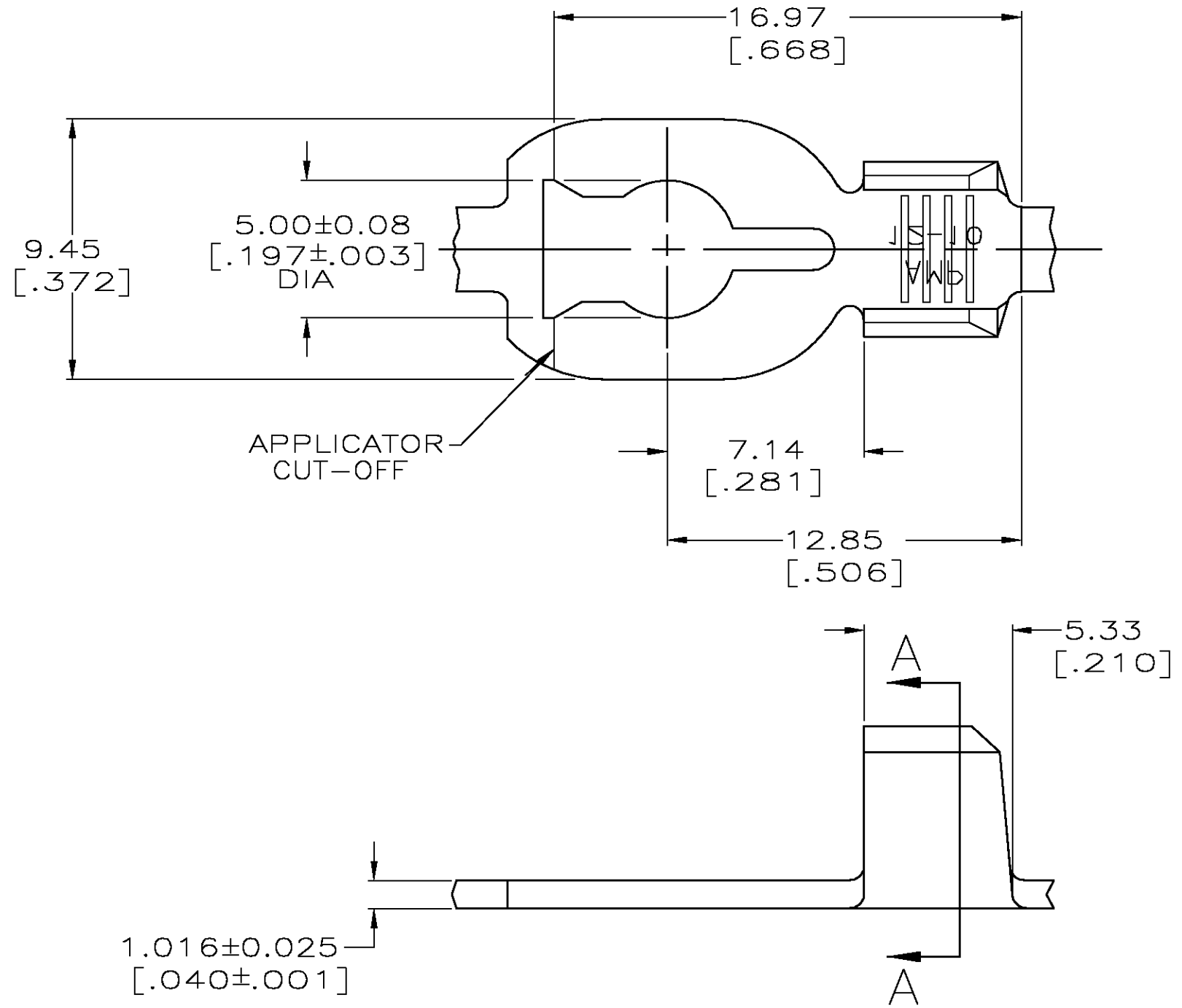
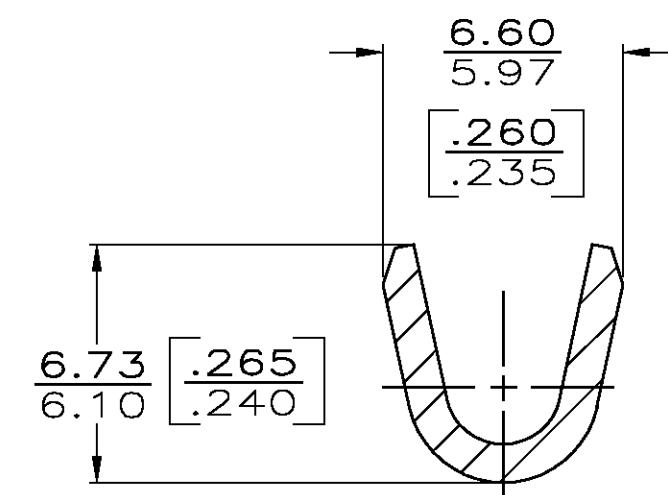


THIS DRAWING IS UNPUBLISHED. RELEASED FOR PUBLICATION
 © COPYRIGHT BY TYCO ELECTRONICS CORPORATION. ALL RIGHTS RESERVED.

LOC	DIST	REVISIONS			
P	LTR	DESCRIPTION	DATE	DWN	APVD
AF	50	D	REV PER 0G3A-0216-05	27APR05	JR DD



- 1 CONTINUOUS STRIP ON REELS.
- 2 WIRE SIZE IS 2.0-5.0mm2 [14-10] AWG



SECTION A-A

OBSOLETE	0.002032 [.000080] MIN TIN PL PER MIL-T-10727	63610-2
		63610-1
	FINISH	PART NO.

6.98 [.275]	F	5.33 [.210]	3.22 [.135]	5.0mm ² [10]
			2.92 [.123]	3.0mm ² [12]
			2.74 [.115]	2.0mm ² [14]
STRIP LENGTH ±0.38 [±.015]	TYPE	WIDTH	±0.051 [±.002] HEIGHT	WIRE
	WIRE BARREL CRIMP			

THIS DRAWING IS A CONTROLLED DOCUMENT.

DIMENSIONS: MM [INCHES]

TOLERANCES UNLESS OTHERWISE SPECIFIED:

0 PLC	± -
1 PLC	± -
2 PLC	± 0.25 [.010]
3 PLC	± -
4 PLC	± -
ANGLES	± -

MATERIAL: #2 HARD BRASS

FINISH: SEE TABLE

DWN P FORTNEY 5/24/91	 Tyco Electronics Corporation Harrisburg, Pa 17105-3608	NAME		RESTRICTED TO
CHK MS FEHER 5/28/91		TERMINAL, SPRING SPADE		
APVD G YETTER 5/28/91		PRODUCT SPEC	APPLICATION SPEC	
WEIGHT -	SIZE A3	CAGE CODE 00779	DRAWING NO C-63610	
CUSTOMER DRAWING		SCALE 5:1	SHEET 1 OF 1	REV D